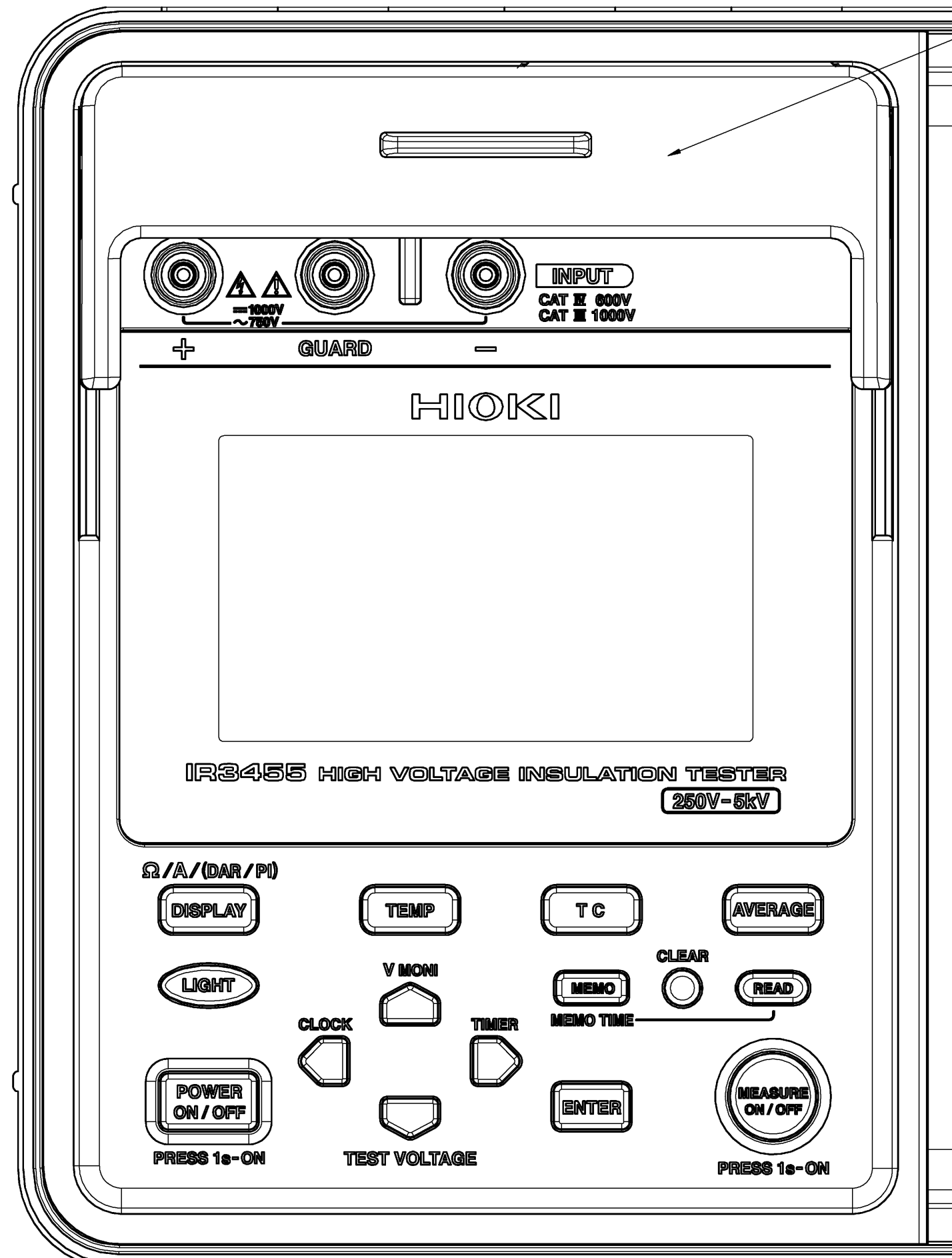


端子部詳細図(シャッター下部)  
Detail Drawing of Terminals (Under Shutter)

シャッタ (スライド式)  
Shutter (Slidable)



操作パネル部詳細図  
Detail Drawing of Operation Panel

TEST VOLTAGE

- (ENTER) ..... 250V, 500V, 1kV, 2.5kV, 5kV
- (D) (ENTER) ..... Fine adjustment, STEP

POLARIZATION INDEX, DIELECTRIC ABSORPTION RATIO

- PI=R after 10min(t2)\*+R after 1min(t1)\* \*t1->t1
- DAR 1min/15s=R after 1min+R after 15sec t2->t2
- DAR 1min/30s=R after 1min+R after 30sec

Setting Timer

1. When the tester is in standby state, press the key.
2. Press the key to set the time.
3. Press the (ENTER) key to confirm the entry. When the timer is successfully set, the TIMER lights.

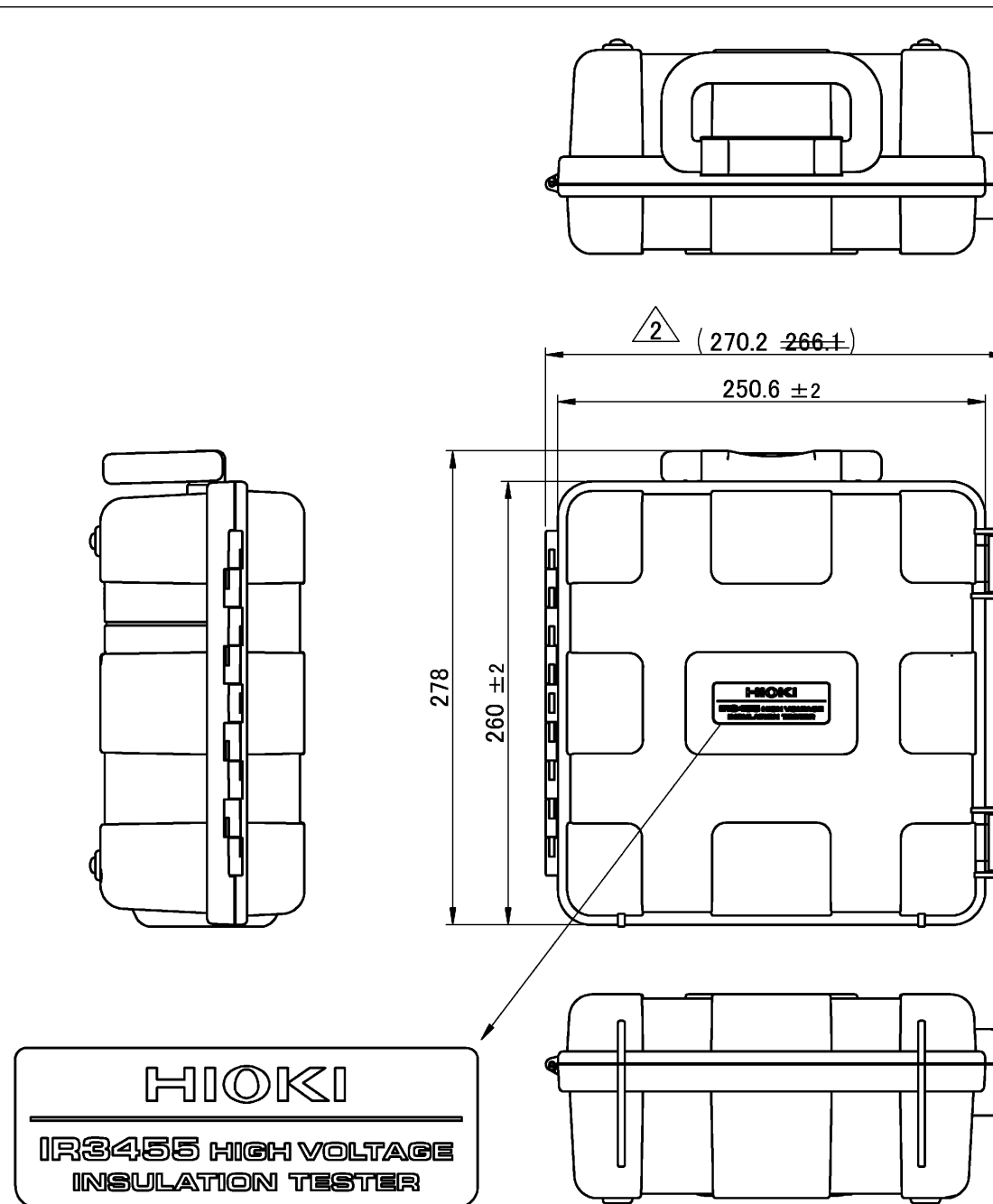
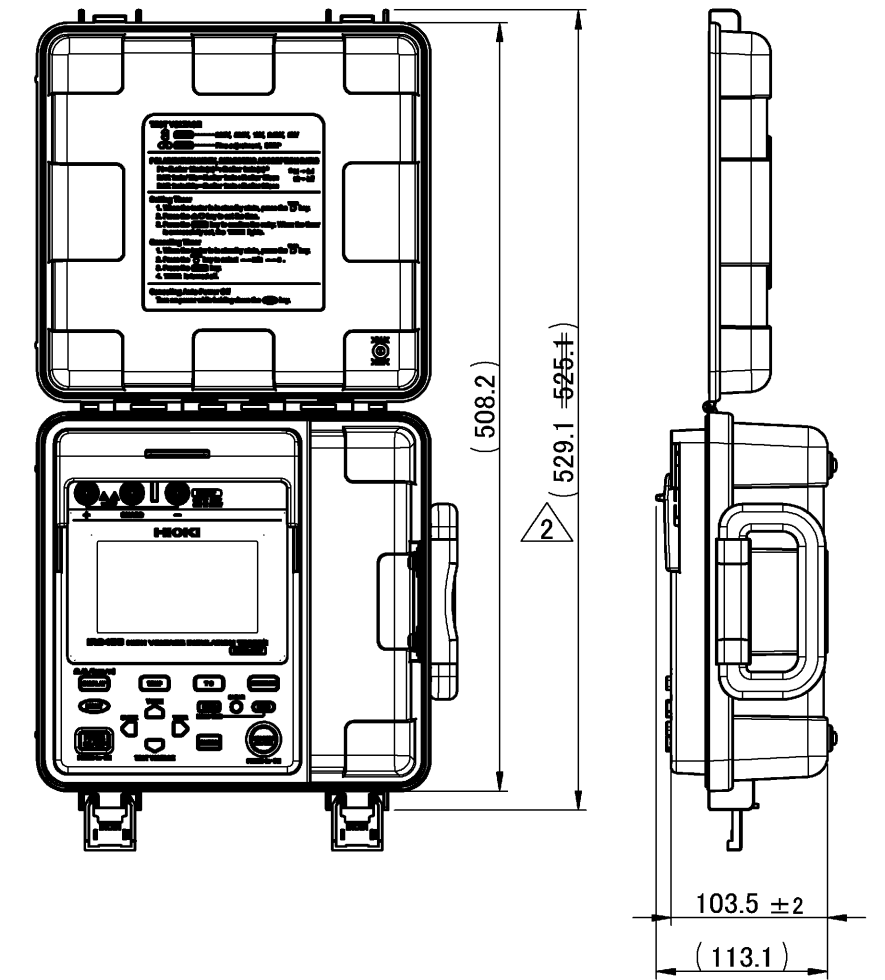
Cancelling Timer

1. When the tester is in standby state, press the key.
2. Press the key to select --min --s.
3. Press the (ENTER) key.
4. TIMER is turned off.

Cancelling Auto Power Off

- Turn on power while holding down the key.

詳細図  
Detail Drawing



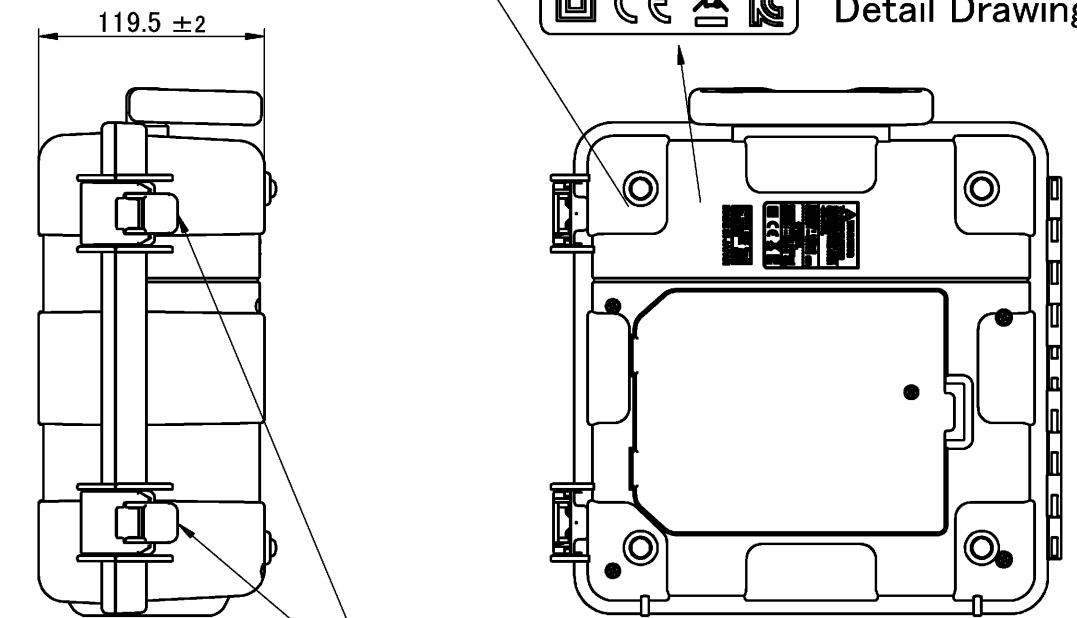
詳細図  
Detail Drawing

HIOKI 201X  
No. XXXXXXXX  
MADE IN JAPAN

詳細図  
Detail Drawing

**WARNING**  
TO AVOID ELECTRIC SHOCK REMOVE TEST LEADS BEFORE OPENING CASE.  
BATTERY : LR6x6  
RATING : 1.5Vx6 6VA  
OPTIONAL BATTERY PACK : 0450x1  
RATING : 7.2Vx1 6VA

詳細図  
Detail Drawing



ドロウキャッチ

CAD data: IR3455A040-02_Outline_Drawing			
承認 Approved by	北澤真喜男	投影法 Projection Method	形名 Model
検査 Checked by	戸井 順	尺度 Scale	IR3455
初版 Orig.	2016/09/12 中島謙太郎	単位 Unit	名称 Title
履歴 Sym.	YYYY/MM/DD 日付 Date	シートサイズ Sheet Size	Outline Drawing
	設計 Designed by	図番 Draw No.	版 Rev.
	中島謙太郎	IR3455A040	02